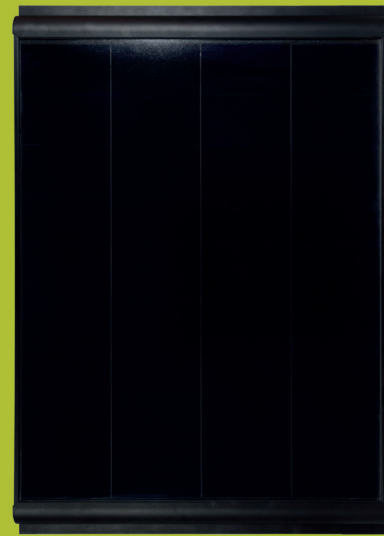
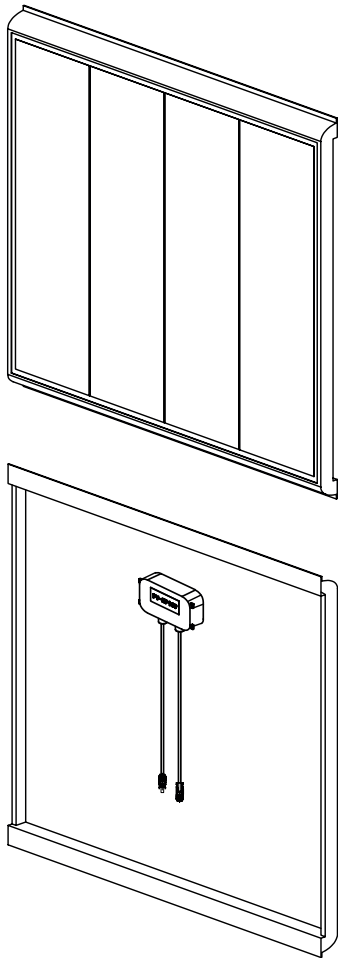


Solar Panel 120W



SP120

Name	
Art.no.	28108
EAN	8717809281081

Parameters	
Maximum power	120W
Voltage at PMax (Vmp)	20.50V
Open circuit voltage (Voc)	24.77V
Current at PMax (Imp)	5.85A
Short circuit current (Isc)	6.17A
Module efficiency	20.9%

Miscellaneous	
Solar panel	HPBC High efficiency cells
Finishing	Matte film, all black
IP class (junction box)	IP67
Dimensions	L975 x W670 x D40 mm
Weight	6.8 kg
Warranty	5 year

Accessories	
Battery connection	MC4
Battery wiring MC4	1x 5m cable (4 mm ²)